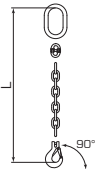
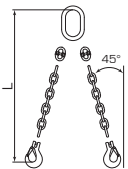
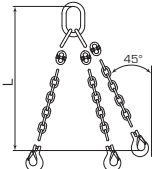
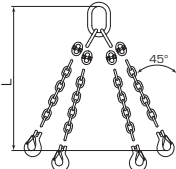


MULTI-LEG CHAIN SLINGS CHECK LIST


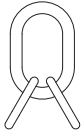

REQUEST REFERENCE:





GENERAL DATA:

WLL (t)	Grade	<input type="checkbox"/> CARTEC100	<input type="checkbox"/> CARTEC80	
Model				
	<input type="checkbox"/> 1 leg	<input type="checkbox"/> 2 legs	<input type="checkbox"/> 3 legs	<input type="checkbox"/> 4 legs
Length	<input type="checkbox"/> chain only	Length (m)		
	<input type="checkbox"/> total			

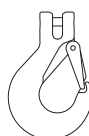
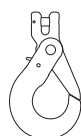
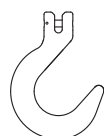
PARTS:

Oblong Masterlink			
* <input type="text"/>	<input type="checkbox"/> oblong	<input type="checkbox"/> sub-assembly	<input type="checkbox"/> special

* indicate the model only if known

Grab Hook	<input type="checkbox"/> YES qty:		
* <input type="text"/>	<input type="checkbox"/> NO	<input type="checkbox"/> eye type	<input type="checkbox"/> clevis type

* indicate the model only if known

Sling Ending	<input type="checkbox"/> eye type	<input type="checkbox"/> with masterlink			
* <input type="text"/>	<input type="checkbox"/> clevis type	<input type="checkbox"/> with grab hook	<input type="checkbox"/> sling hook	<input type="checkbox"/> self-locking	<input type="checkbox"/> foundry hook

* indicate the model only if known

EXAMPLES OF USE OF "LINEA CARTEC" ACCESSORIES FOR THE CONSTRUCTION OF LIFTING SLINGS



*WLL
reduction